

TERMINAL & RORO TRACTORS



MOL

A WORLD OF TRANSPORT SOLUTIONS

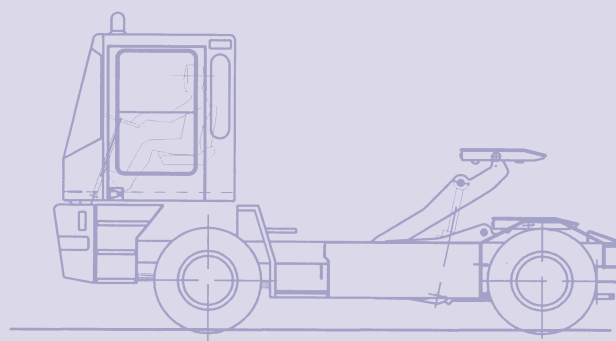


The brand new series of Terminal & RoRo Tractors demonstrates just how innovative Mol can be. Our R&D department redesigned the existing models to create a contemporary line with worldwide appeal.

The Terminal & RoRo Tractors (available in 4x2 and 4x4 versions respectively) are real workhorses – the perfect solution for ports and logistic service providers such as distribution centers, transport companies, etc.

The Mol Terminal & RoRo Tractor stands out for its modern design, easy operation and low maintenance costs. The cab has been designed for full ergonomic comfort: the driver has an excellent view on all sides of the tractor.

A Terminal & RoRo Tractor can be fitted with options such as a rotating steering column with seat and other extras. Mol also offers a free choice of several engines.



MOL CY NV

Diksmuidesteenweg 63

B-8830 Hooglede

Tel. +32 [0]51 70.16.81

Fax +32 [0]51 70.30.38

E-mail info@molcy.com

<http://www.molcy.com>

